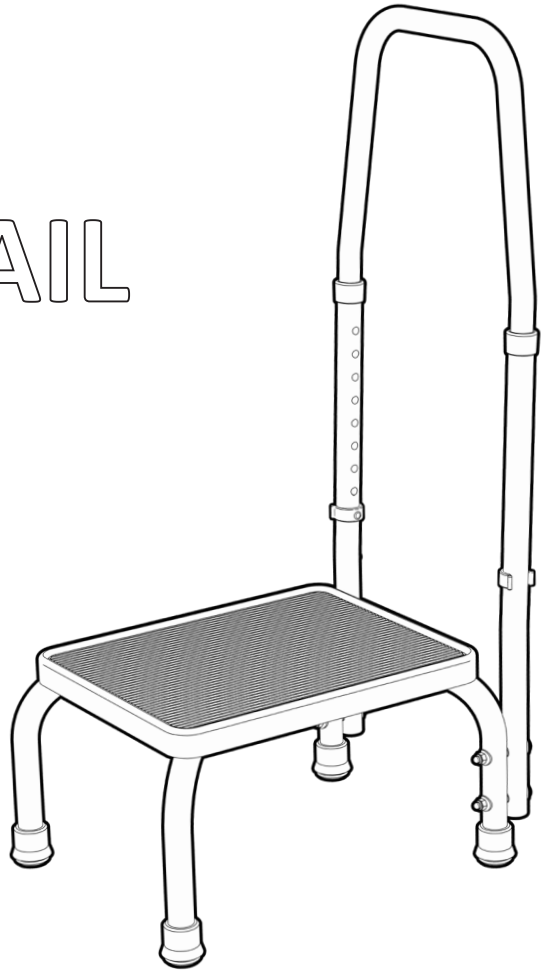


BASICS

by REDGUM

STEP WITH HANDRAIL

B68SH



USER MANUAL

Please read and keep these instructions

BASICS

by REDGUM

BASICS by Redgum owns the **copyright** to the **Step with handrail** user manual. Any information contained in this user manual shall not be photocopied, reproduced or translated into any other languages without the prior written consent of **BASICS by Redgum**.

BASICS by Redgum strives to provide the highest quality products possible. Product is subject to change without notice.

© Copyright **BASICS by Redgum** 2021

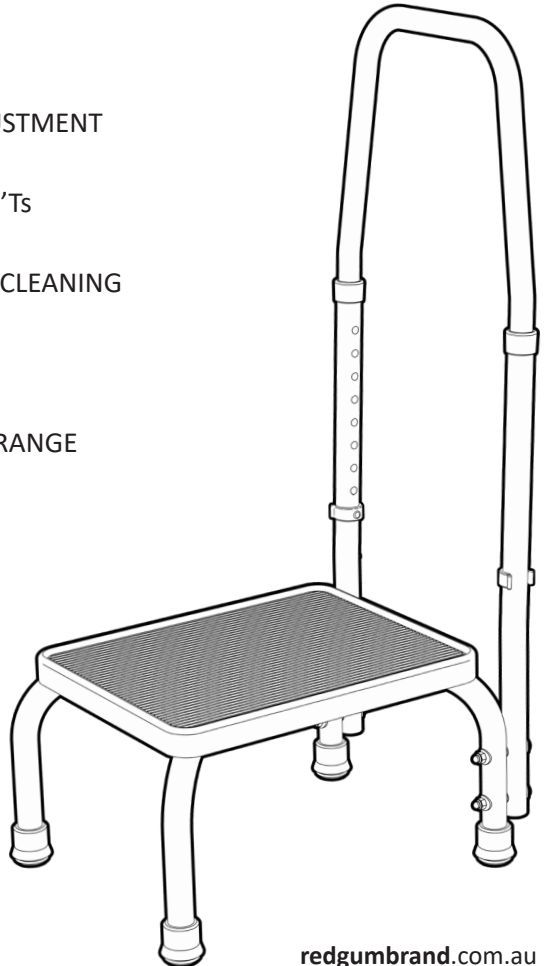


BASICS by Redgum is part of **FOR-DE Group Pty Ltd**

redgumbrand.com.au

CONTENTS

1. **INTRODUCTION** - INTENDED USE
2. **PRODUCT OVERVIEW** - FEATURES / SPECIFICATIONS
3. **ASSEMBLY** - UNPACK and INSPECT SUPPLIED PARTS
4. **ASSEMBLY** - LEG ATTACHMENT
5. **ASSEMBLY** - HANDRAIL UPRIGHT ATTACHMENT
6. **ASSEMBLY** - HANDRAIL FITTING
7. **SET UP** - HANDRAIL HEIGHT ADJUSTMENT
8. **USAGE GUIDELINES** - DO's + DON'Ts
9. **PRODUCT CARE** - INSPECTIONS / CLEANING
10. **WARRANTY**
11. **BASICS by Redgum** - PRODUCT RANGE
12. **NOTES**



INTRODUCTION

Thank you for purchasing this quality **BASICS by Redgum** product.

If you have any issues or questions about the **Step with handrail** please contact your supplier or **BASICS by Redgum** direct:

T: +61 8 9248 4180

E: sales@for-de.com.au

A: 1 Business Way, Malaga Western Australia 6090

INTENDED USE

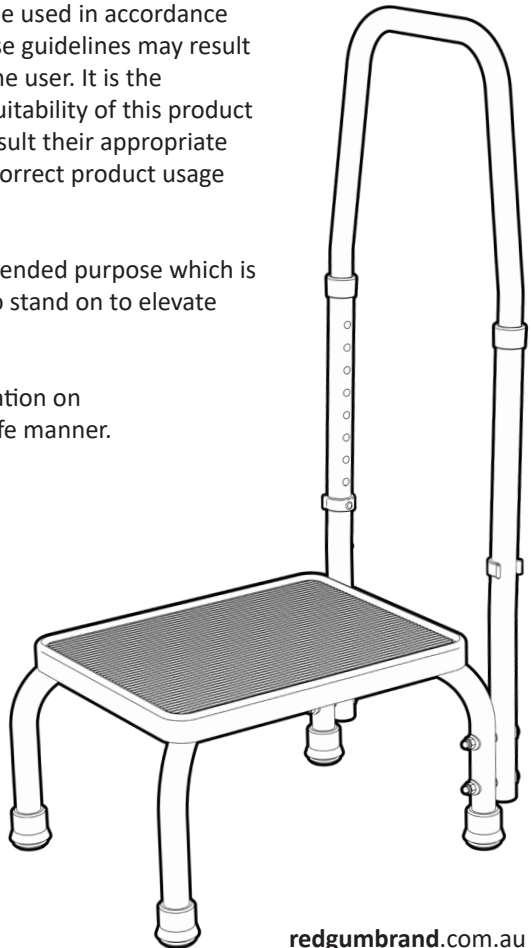
This product has limitations and should be used in accordance to these guidelines. Failure to follow these guidelines may result in damage to the product and injury to the user. It is the responsibility of the user to ensure the suitability of this product for its intended use. The user should consult their appropriate healthcare professional if unsure of the correct product usage for their unique circumstances.

Only use the Step with handrail for its intended purpose which is as a raised horizontal surface on which to stand on to elevate a person.

Refer to usage guideline page for information on how to use the Step with handrail in a safe manner.

IMPORTANT NOTE

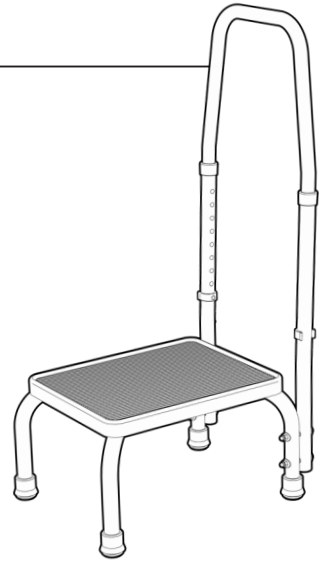
This equipment **MUST** be assembled for use by a competent person.



PRODUCT OVERVIEW

FEATURES

- Stable standing platform
- Great independent living aid
- Strong lightweight construction
- Slip resistant rubber surface on platform
- Adjustable height hand rail
- Non marking slip resistant rubber leg tips
- Easy to assemble
- Can be flat packed for transit or storage



SPECIFICATIONS (All dimensions shown are nominal)

Overall:

440mm (W)

335mm (D)

840mm (H) at lowest handrail setting

Platform:

360mm (W)

285mm (D)

230mm (H)

Handrail:

840 - 1040mm (H) 9 settings at 25mm increments

Product Weight: **4.3kg**

Maximum User Weight: **136kg**

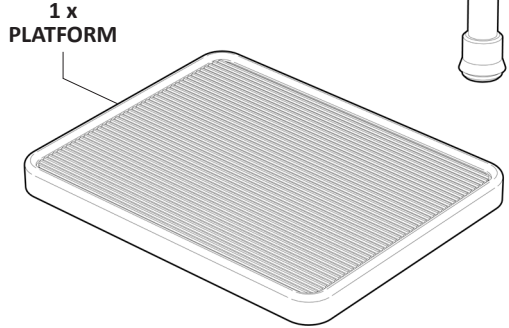
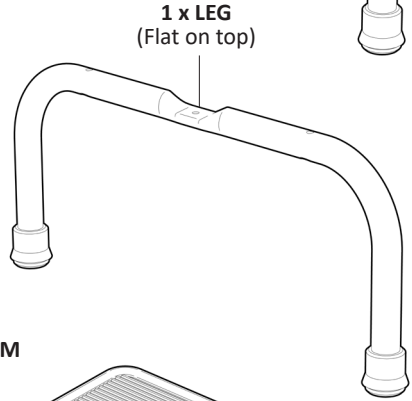
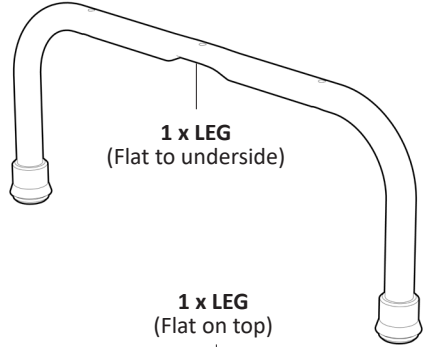
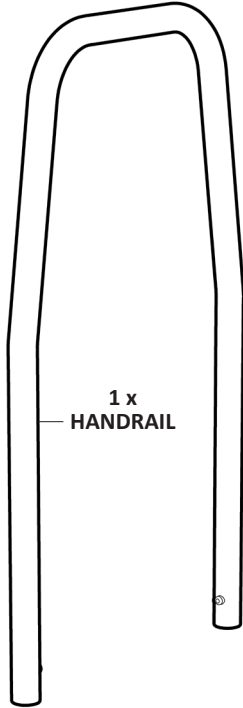
Please contact **BASICS by Redgum** if you would like any further information on the Step with handrail.



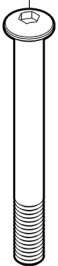
ASSEMBLY - UNPACK and INSPECT SUPPLIED PARTS

Ensure you have been supplied with the following parts:

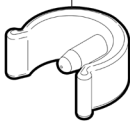
We recommend that you visually inspect the Step with handrail parts prior to assembly:



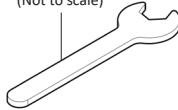
4 x LONG BOLT
(Not to scale)



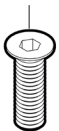
2 x C CLIP
(Not to scale)



1 x SPANNER
(Not to scale)



5 x SHORT BOLT
(Not to scale)



8 x CURVED WASHER
(Not to scale)



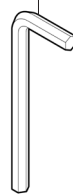
4 x FLAT WASHER
(Not to scale)



4 x NUT
(Not to scale)



1 x ALLEN KEY
(Not to scale)



IMPORTANT NOTE:
If you see any damage suspect a fault or are missing parts **DO NOT ASSEMBLE THE PRODUCT** and contact your supplier for support.

ASSEMBLY- LEG ATTACHMENT

The Step with handle requires assembly prior to use. Please follow these steps to attach legs to platform:

1. Lay the platform upside down.
(Rubber surface facing down)

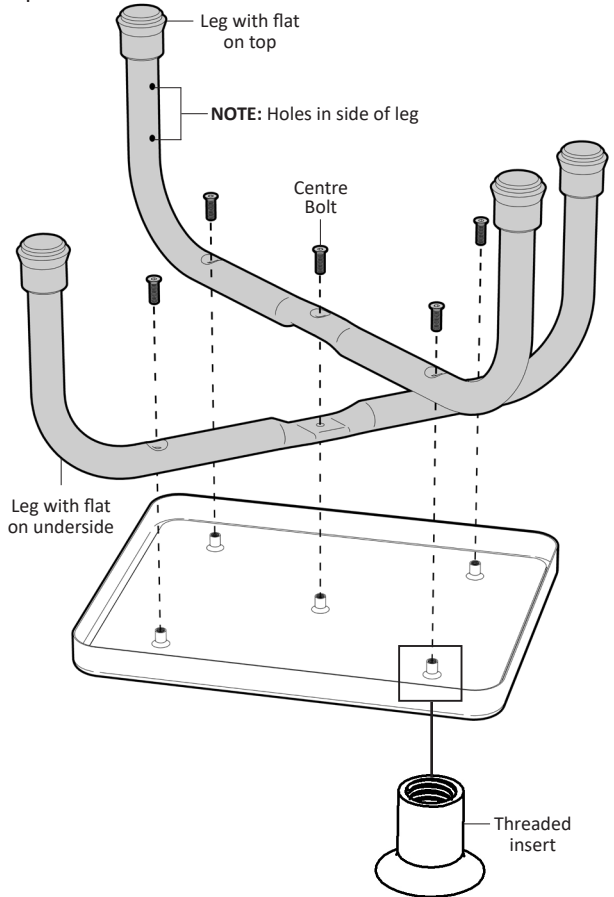
2. Locate the **leg with flat to underside** onto platform.
Line up holes in leg with threaded inserts on platform.
(Line up Leg with No. 2 stamped on tube with No. 2 sticker on platform)

3. Locate the **leg with flat on top** onto platform.
ENSURE HOLES IN SIDE OF LEG ARE AT SAME END AS OTHER LEG.
Line up holes in leg with threaded inserts on platform.
(Line up Leg with No. 1 stamped on tube with No. 1 sticker on platform)

4. Using your hand screw centre bolt into place.

5. Using your hand screw other bolts into place.

6. Using Allen key



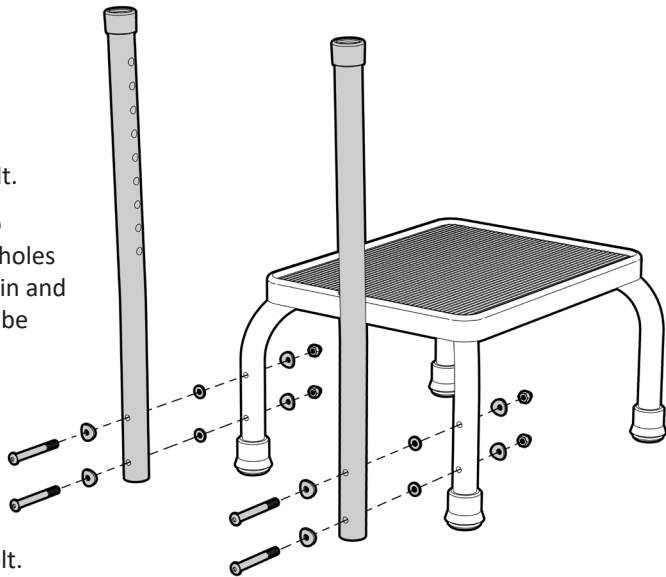
IMPORTANT NOTE
Ensure all five bolts have been sufficiently tightened using allen key prior to using step

Turn Step over onto its feet.
Step is now ready to attach handrail.

ASSEMBLY- HANDRAIL UPRIGHT ATTACHMENT

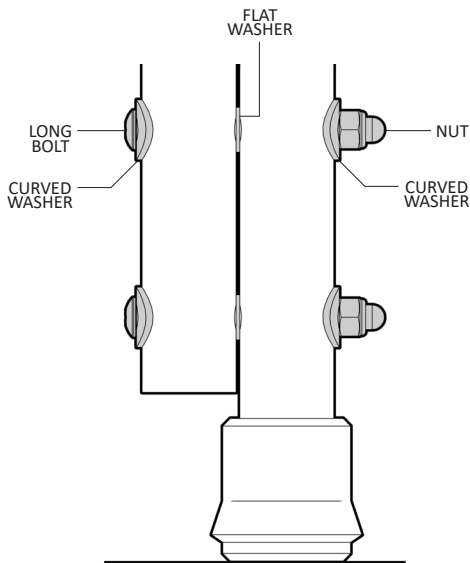
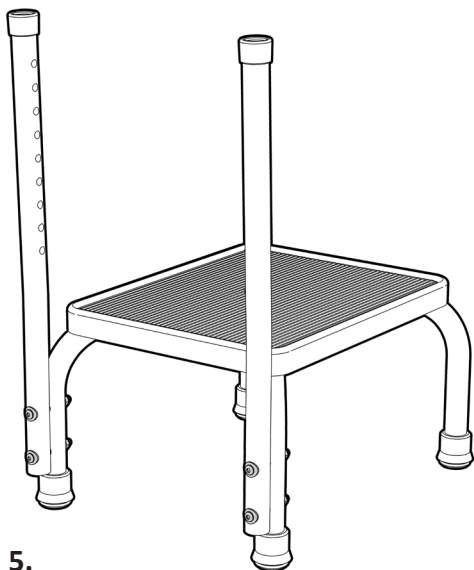
Please follow these steps to attach handrail uprights to legs:

1. Feed curved washer onto long bolt.
2. Feed bolt with washer through hole in upright.
3. Feed flat washer onto bolt.
4. Identify the correct leg to fix the upright to. Line of holes in upright must be facing in and slight angle on upright to be facing away from step.
5. Pass bolt through hole in leg.
6. Feed curved washer onto bolt.
7. Hand tighten nut onto bolt.



8. IMPORTANT NOTE:

DO NOT TIGHTEN BOLTS USING TOOLS PROVIDED UNTIL HANDRAIL HAS BEEN INSTALLED.



5.

ASSEMBLY - HAND RAIL FITTING

The adjustable handle for the handrail requires fitting prior to use.

Please follow these steps:

1. Line up the handrail tube with the uprights.

2. Slide handrail **all the way down** into uprights.

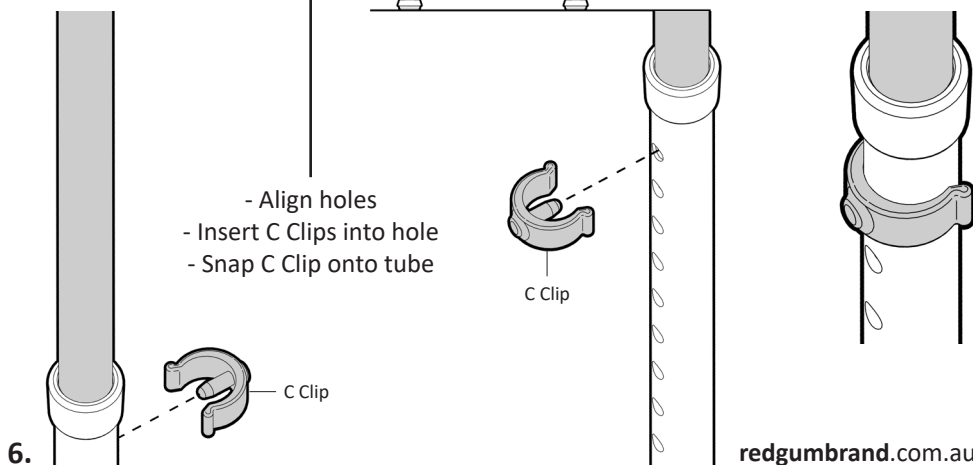
3. **Using the tools provided tighten the upright bolts.**

4. Line up hole in handrail tube with selected hole in upright.

5. Locate pin in C Clip into aligned holes.

6. Push C Clip in until clip 'snaps' around upright.

7. Locate C Clip on other side to lock handrail into position.



SET UP- HANDRAIL HEIGHT ADJUSTMENT

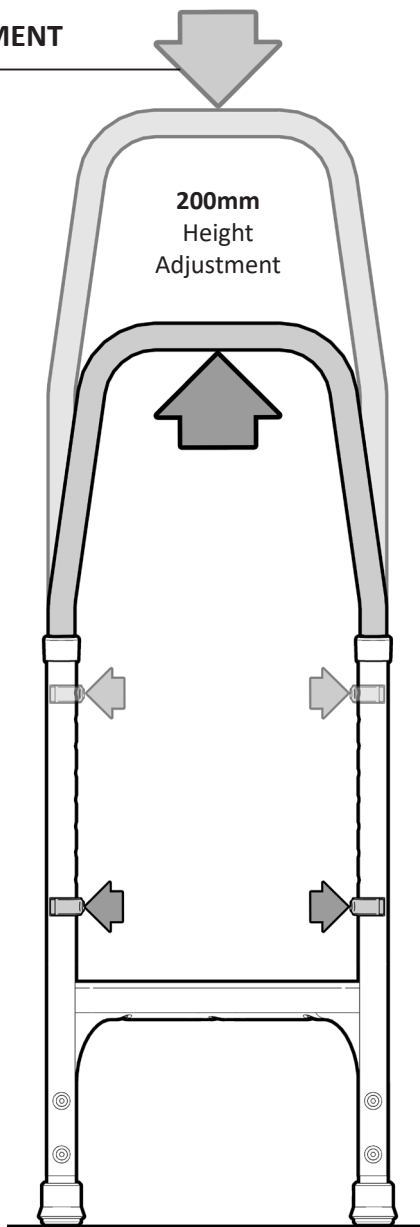
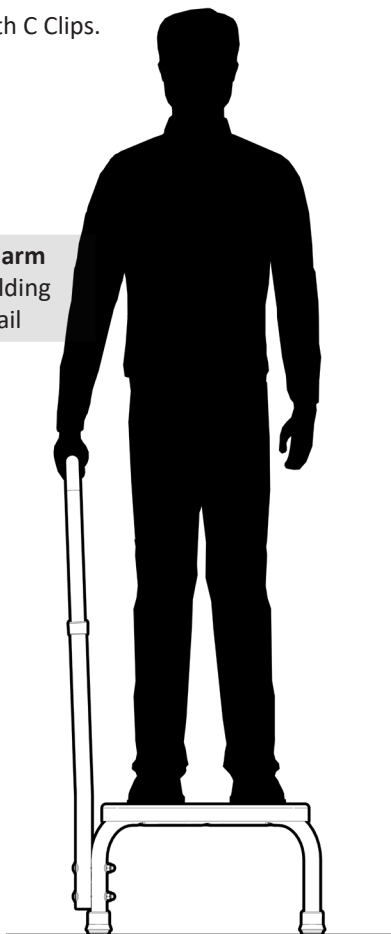
We recommend that the handrail on the Step be set at the correct height for the user.

The user should be able to hold onto the horizontal top section of the handrail with a straight arm when standing on the step.

To adjust the height of the rail:

- Remove both C Clips.
- Move handrail to required height.
- Align holes.
- Re fit both C Clips.

Straight arm
when holding
handrail



USAGE GUIDELINES - DO's + DON'TS

Please follow these guidelines to get the optimal benefit from the Step with handrail.

Failure to follow these guidelines may result in damage to the Step with handrail and put the user at risk.

The Step with handrail is designed to take **136kg Maximum Load**. Do not overload the Step with handrail!

Periodically inspect to the Step with handrail prior to use to ensure it is in good working order (Refer to page 9).

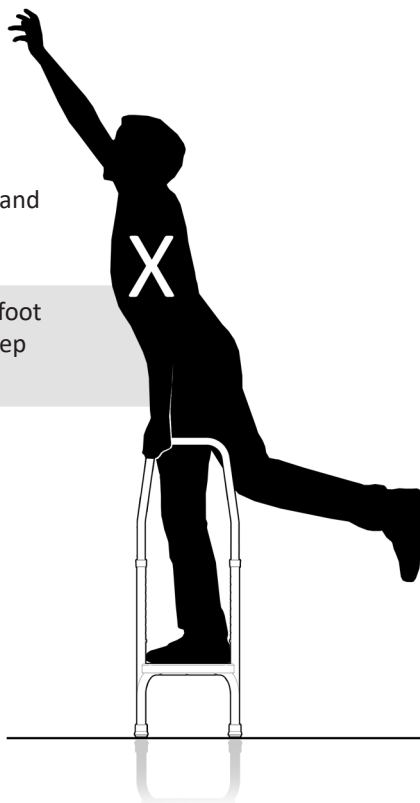
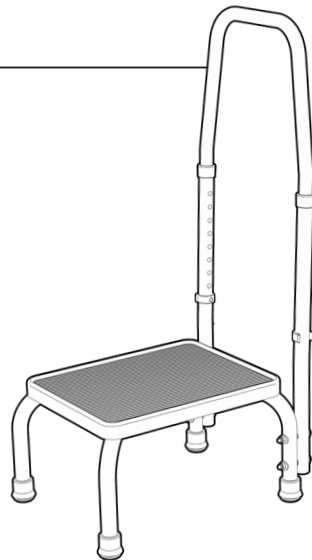
Always use the Step with handrail on level and stable ground.

Always position both feet centrally on the step.

Please take extra care when getting on and off the Step with handrail. If possible always maintain three points of contact (Two feet on step platform and one hand on handrail).

NEVER stand on the Step with handrail with one foot to gain extra reach. Use an appropriate double step or ladder.

If you have any issues or questions about the Step with handrail please contact your supplier or BASICS by Redgum direct.



PRODUCT CARE - INSPECTIONS / CLEANING

INSPECTIONS

We suggest that the Step with handrail is visually checked periodically for signs of damage or wear prior to use. Overall check the following:

- Frame has no distortion
- Leg tips are not damaged or worn
- Rubber mat on platform is flat and even.



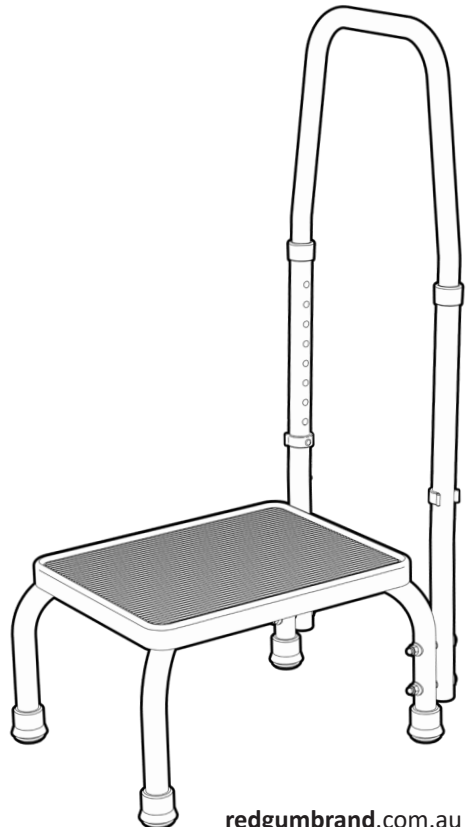
Withdraw the Step with handrail immediately if you suspect damage or any other fault. If in any doubt, please do not issue or use, but immediately contact your supplier for service support.

CLEANING

Clean the Step using a non-abrasive cleaner or mild detergent with a soft cloth.

Abrasive cleaners or abrasive cleaning pads could damage the Step and should not be used.

If you have any issues or questions about the Step please contact your supplier or BASICS by Redgum direct.



WARRANTY

The BASICS by Redgum:

B68SH - STEP WITH HANDRAIL

is covered by a **12 Month Warranty** from the date of purchase.

If the product has any manufacturing faults during this period contact the place of purchase for assessment. Failures as a result of **ACCIDENTAL MISUSE, MODIFICATION OR WEAR AND TEAR ARE NOT COVERED BY THIS WARRANTY.**

Our goods come with guarantees that cannot be excluded under the Australian Consumer Law. You are entitled to a replacement part for a major failure and for compensation for any other reasonably foreseeable loss or damage. You are entitled to have the goods repaired or replaced if the goods fail to be of acceptable quality and failure does not amount to major failure.

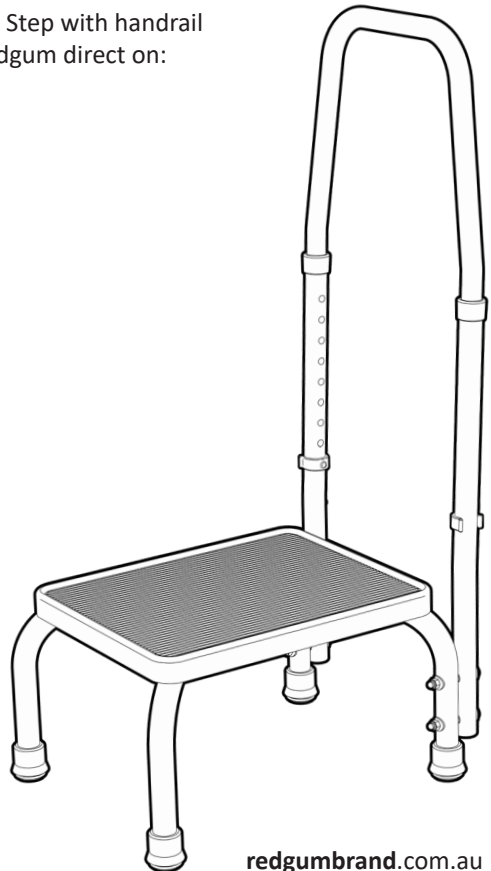
If you have any issues or questions about the Step with handrail please contact your supplier or BASICS by Redgum direct on:

T: +61 8 9248 4180

E: sales@for-de.com.au

A: 1 Business Way, Malaga
Western Australia 6090

**Please keep this
User Manual
in a safe place
for future reference.**

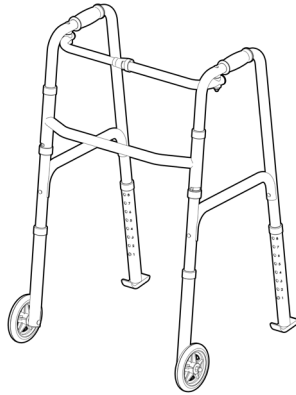


BASICS by Redum - PRODUCT RANGE

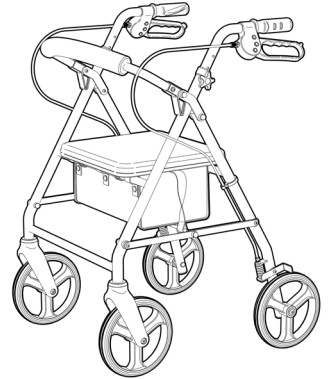
BASICS by Redgum offer a range of products including:



Step
B68H



Walking frame
with 5" wheels / rear glides
B4070WS



Seat walker
(Burgundy red + Silver)
B4204S



Bedside commode
B580



Bariatric commode chair
B588

Please contact BASICS by Redgum for further information:

T: +61 8 9248 4180 E: orders@for-de.com.au

A: 1 Business Way, Malaga Western Australia 6090

W: www.redgumbrand.com.au

NOTES

DISTRIBUTOR:

BASICS

by **REDGUM**



Proudly Australian Owned and Operated